

**PLEASE CHECK WWW.MOLEX.COM FOR LATEST PART INFORMATION**

**Part Number:** [0760115133](#)

**Status:** **Active**

**Overview:** [GbX I-Trac™ Backplane Connector System](#)

**Description:** GbX I-Trac™ Right Angle Header Module, 1.85mm by 3.70mm Pitch, Right Guided Coplanar, Left Open, 7 Rows, 10 Columns, 140 Circuits, Mating Pin Length 4.70mm, Lead-Free

**Documents:**

[3D Model](#)

[Drawing \(PDF\)](#)

[Product Specification PS-75710-999 \(PDF\)](#)

[Packaging Specification PK-70873-588 \(PDF\)](#)

[RoHS Certificate of Compliance \(PDF\)](#)

**Agency Certification**

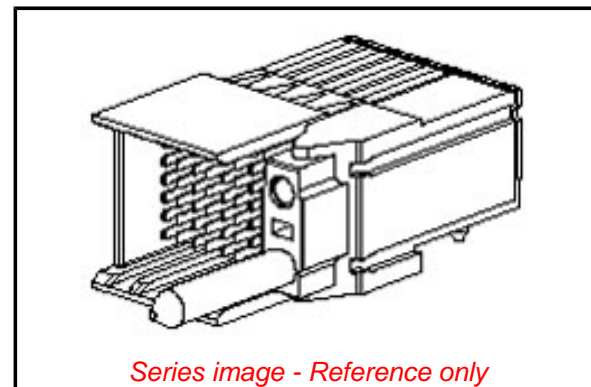
UL E29179

**General**

Product Family	Backplane Connectors
Series	<a href="#">76011</a>
Application	Coplanar, Daughtercard
Component Type	Right Angle Male
Overview	<a href="#">GbX I-Trac™ Backplane Connector System</a>
Product Name	GbX I-Trac™
UPC	883906036362

**Physical**

Circuits (Loaded)	140
Circuits (maximum)	140
Color - Resin	Black
Durability (mating cycles max)	200
First Mate / Last Break	No
Flammability	94V-0
Guide to Mating Part	Yes
Keying to Mating Part	None
Material - Metal	High Performance Alloy (HPA)
Material - Plating Mating	Gold
Material - Plating Termination	Tin
Material - Resin	High Temperature Thermoplastic
Net Weight	34.307/g
Number of Columns	10
Number of Pairs	4, Open Pin Field
Number of Rows	7
Orientation	Right Angle
PC Tail Length	2.00mm
PCB Locator	No
PCB Retention	None
PCB Thickness - Recommended	1.60mm
Packaging Type	Tray
Pitch - Mating Interface	3.70mm
Pitch - Termination Interface	1.20mm
Plating min - Mating	0.762µm
Plating min - Termination	0.762µm
Polarized to PCB	Yes
Stackable	No
Surface Mount Compatible (SMC)	Yes
Temperature Range - Operating	85°C
Termination Interface: Style	Through Hole - Compliant Pin



Series image - Reference only

**EU ELV**

**Not Relevant**

**EU RoHS**

**Compliant**

**REACH SVHC**

Not Contained Per  
-ED/79/2015 (17  
December 2015)

**Halogen-Free**

**Status**

**Low-Halogen**

**Need more information on product environmental compliance?**

Email [productcompliance@molex.com](mailto:productcompliance@molex.com)  
Please visit the [Contact Us](#) section for any non-product compliance questions.

China ROHS

ELV

Green Image

Not Relevant

**Search Parts in this Series**

[76011 Series](#)

**Mates With**

[76020 GbX I-Trac™ Right Angle Receptacle Module](#)

**Use With**

[78230 GbX I-Trac™ Right Angle Power Receptacle](#)

**Application Tooling | FAQ**

*Tooling specifications and manuals are found by selecting the products below. Crimp Height Specifications are then contained in the Application Tooling Specification document.*

**Global**

**Description**

Press-In Tool  
for Right Angle

**Product #**

[0622018612](#)

**Electrical**

Current - Maximum per Contact	1.0A
Data Rate	12.0 Gbps
Shielded	No
Voltage - Maximum	120V AC (RMS)/DC

**Solder Process Data**

Lead-free Process Capability	N/A
------------------------------	-----

**Material Info****Reference - Drawing Numbers**

Packaging Specification	PK-70873-588
Product Specification	PS-75710-999
Sales Drawing	SD-76011-003

Receptacle and Header 7-Row, 10-Column Right Angle Male (RAM) Module Removal Tool	<u>0622023080</u>
---	-------------------

This document was generated on 06/10/2016

**PLEASE CHECK [WWW.MOLEX.COM](http://WWW.MOLEX.COM) FOR LATEST PART INFORMATION**